



FUEL MANAGEMENT SYSTEMS



DISPENSERS



KITS



PUMPS



METERS



NOZZLES

E80 / E120

FEATURES

- VERSATILITY
- STURDY STRUCTURE
- LONG LASTING
- REASY TO USE
- THERMAL PROTECTION

The PIUSI E80 and E120 are self-priming rotary electric vane pumps, compact and easy to install, suitable to meet all those use requirements needing a high-performance and long lasting product. The sturdy structure along with the thermal protection and the top-quality components allow its use at low working temperatures.

PERFORMANCE

UP TO
100 L/MIN

FLOW RATE

AC
CONTINUOUS DUTY

POWER



E80/E120



PACKAGING

| CODE | WEIGHT | | PACKAGING | | | N. BOXES / EUROPALLET | |
|-------------|--------|------|-------------|------|---------|-----------------------|----|
| | KG | LBS | MM | INCH | PCS/BOX | ✈ | 🚚 |
| E80 | | | | | | | |
| 000305000 | 13 | 28,7 | 355X185X285 | - | 1 | 60 | 72 |
| 000307000 | 13 | 28,7 | 355X185X285 | - | 1 | 60 | 72 |
| E120 | | | | | | | |
| 000326000 | 15,6 | 34,4 | 355X185X285 | - | 1 | 60 | 72 |
| 000312000 | 15,6 | 34,4 | 355X185X285 | - | 1 | 60 | 72 |



FILTRATION



TANK MONITORING



HOSE REEL



ACCESSORIES



MERCHANDISE



AIR



ANTIFREEZE



AdBlue®



BIODIESEL



DIESEL



FOOD



GASOLINE



GREASE



KEROSENE



OIL

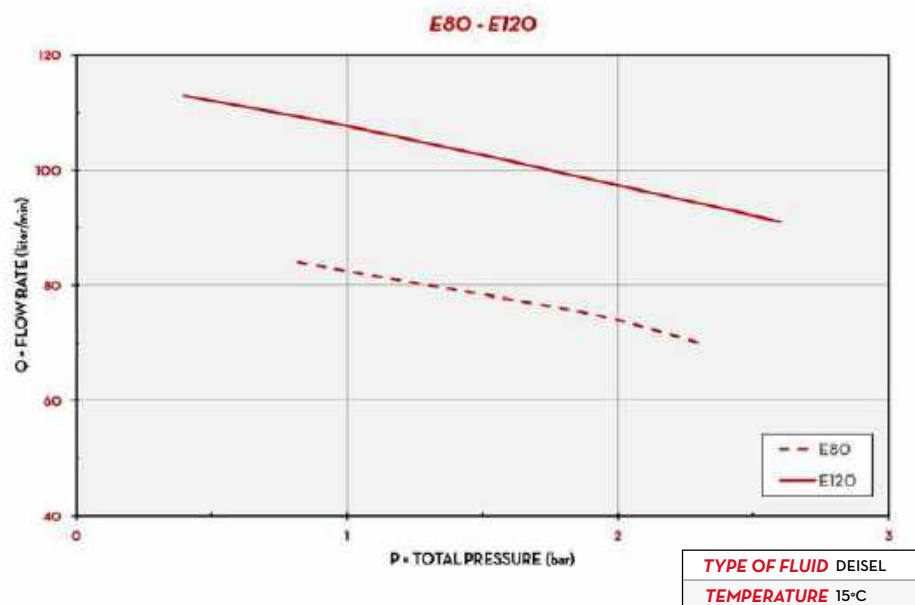


WATER



WINDSCREEN

CHART



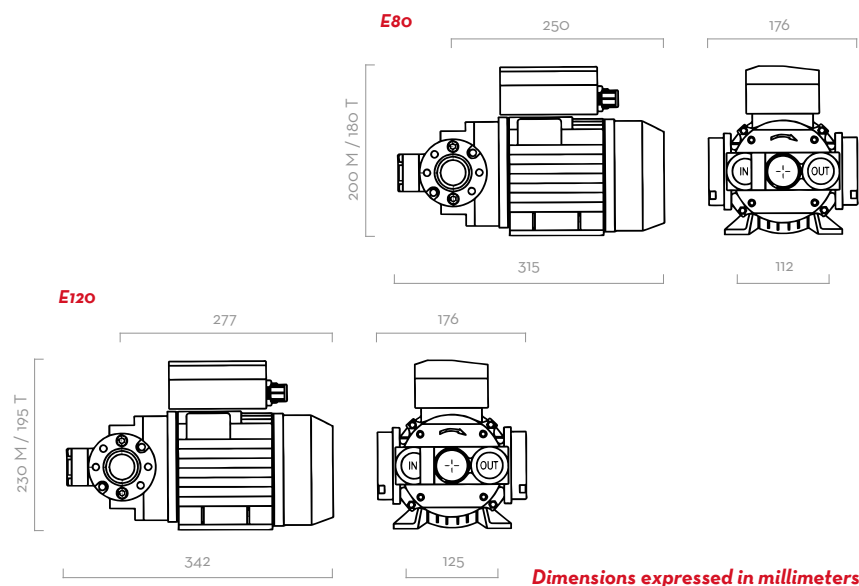
IN THE BOX

- E80/E120 PUMP
- FLANGED CONNECTION
- INSTRUCTION MANUAL

DETAILS



DIMENSIONS



MATERIALS

- BODY: CAST IRON
- ROTOR: SINTERED STEEL
- VANES: ACETAL RESIN
- SEAL: VITON
- SHAFT: STEEL



PUMP

- > MAX 6M (20FT),
- > SUCTION HOSE Ø 1" MIN,
- > MAX SUCTION HEIGHT:
 - 2M (7FT) W/O NON RETURN VALVE
 - 4M (14FT) W NON RETURN VALVE



TANK

TECHNICAL DATA

| CODE | DESCRIPTION | FLUIDS TYPE | FLOW RATE | | VOLTAGE | | | | RPM | INLET OUTLET BSP | FLANGE CONNECTION | BYPASS VALVE | INLET FILTER |
|--------------|-------------|-------------|-----------|-----|------------------------|-----------------------|------------|-----------|------|---------------------|-------------------|--------------|--------------|
| | | | L/MIN | GPM | SINGLEPHASE MOTOR V/Hz | THREEPHASE MOTOR V/Hz | POWER WATT | AMP. MAX. | | | | | |
| E 80 | | | | | | | | | | | | | |
| 000305000 | E 80 M | D | 70 | 18 | 230/50 | - | 500 | 3,5 | 1400 | 1" | YES | YES | NO |
| 000307000 | E 80 T | D | 70 | 18 | - | 400/50 | 550 | 1,6 | 1450 | 1" | YES | YES | NO |
| E 120 | | | | | | | | | | | | | |
| 000326000 | E 120 M | D | 100 | 26 | 230/50 | - | 750 | 5,7 | 1450 | 1" | YES | YES | NO |
| 000312000 | E 120 T | D | 100 | 26 | - | 400/50 | 750 | 2,2 | 1450 | 1" | YES | YES | NO |

E80 / E120